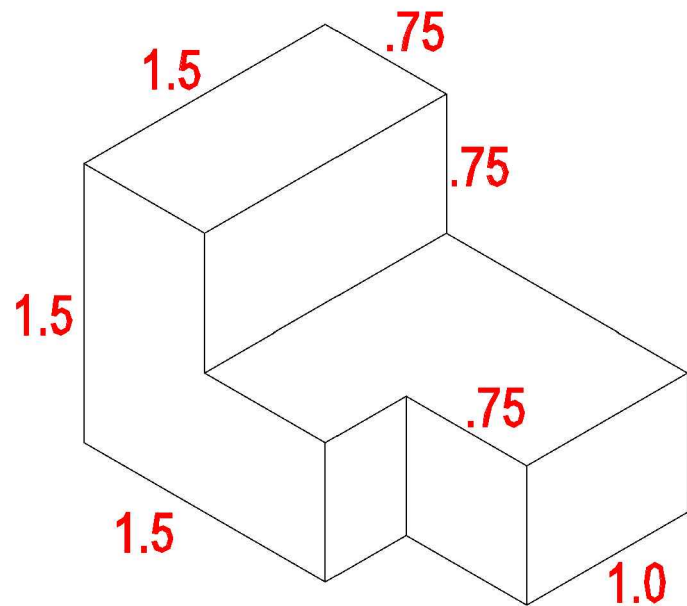
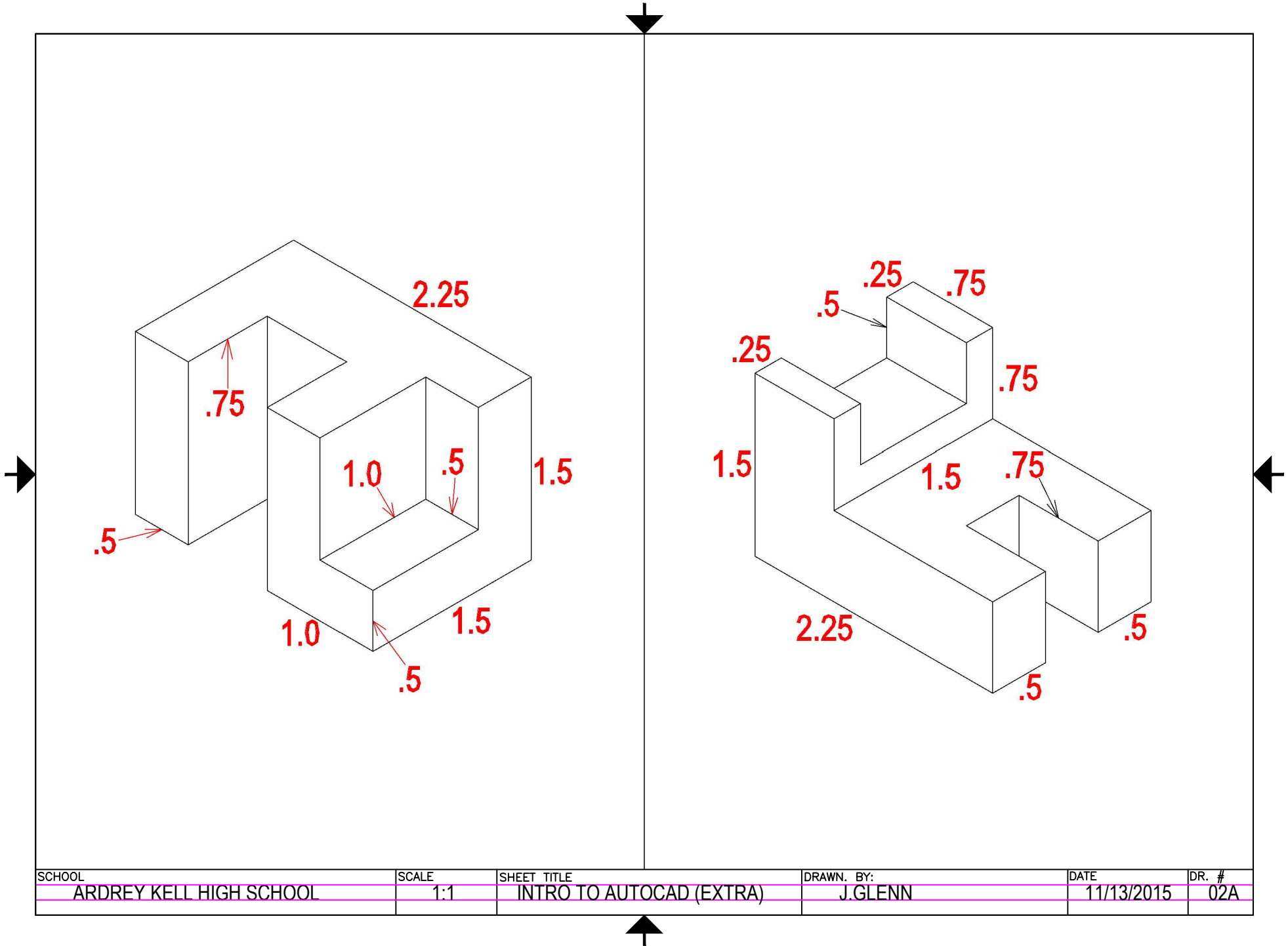


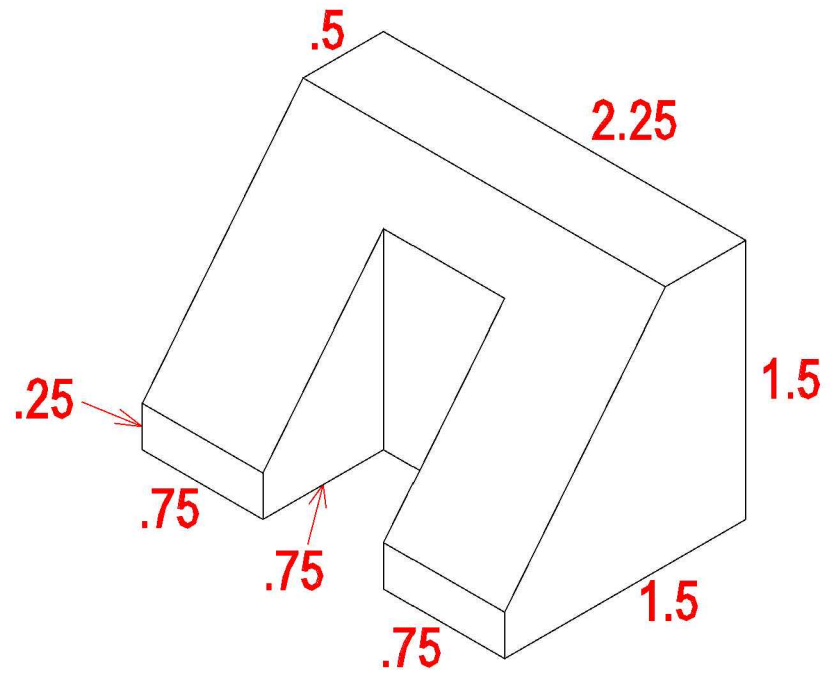
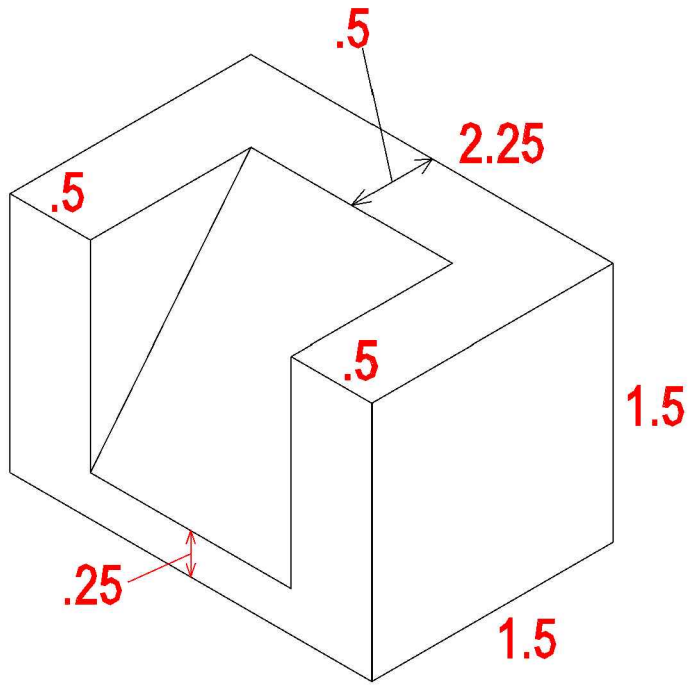
**HOLE DIAMETER = 1"
HOLE DEPTH = .25"**



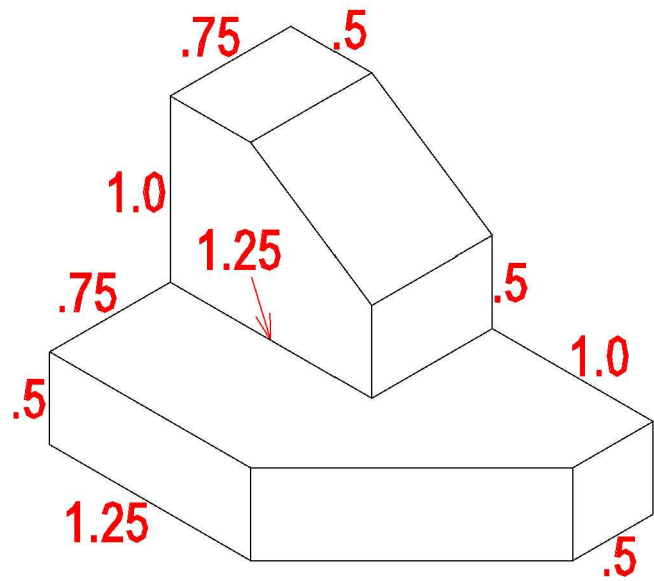
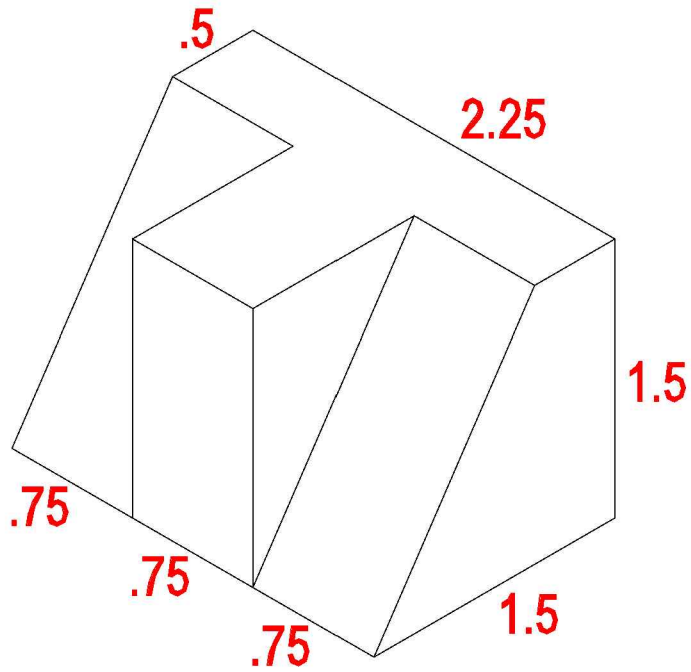
SCHOOL	SCALE	SHEET TITLE	DRAWN. BY:	DATE	DR. #
ARDREY KELL HIGH SCHOOL	1:1	INTRO TO AUTOCAD (EXTRA)	J.GLENN	11/13/2015	01A



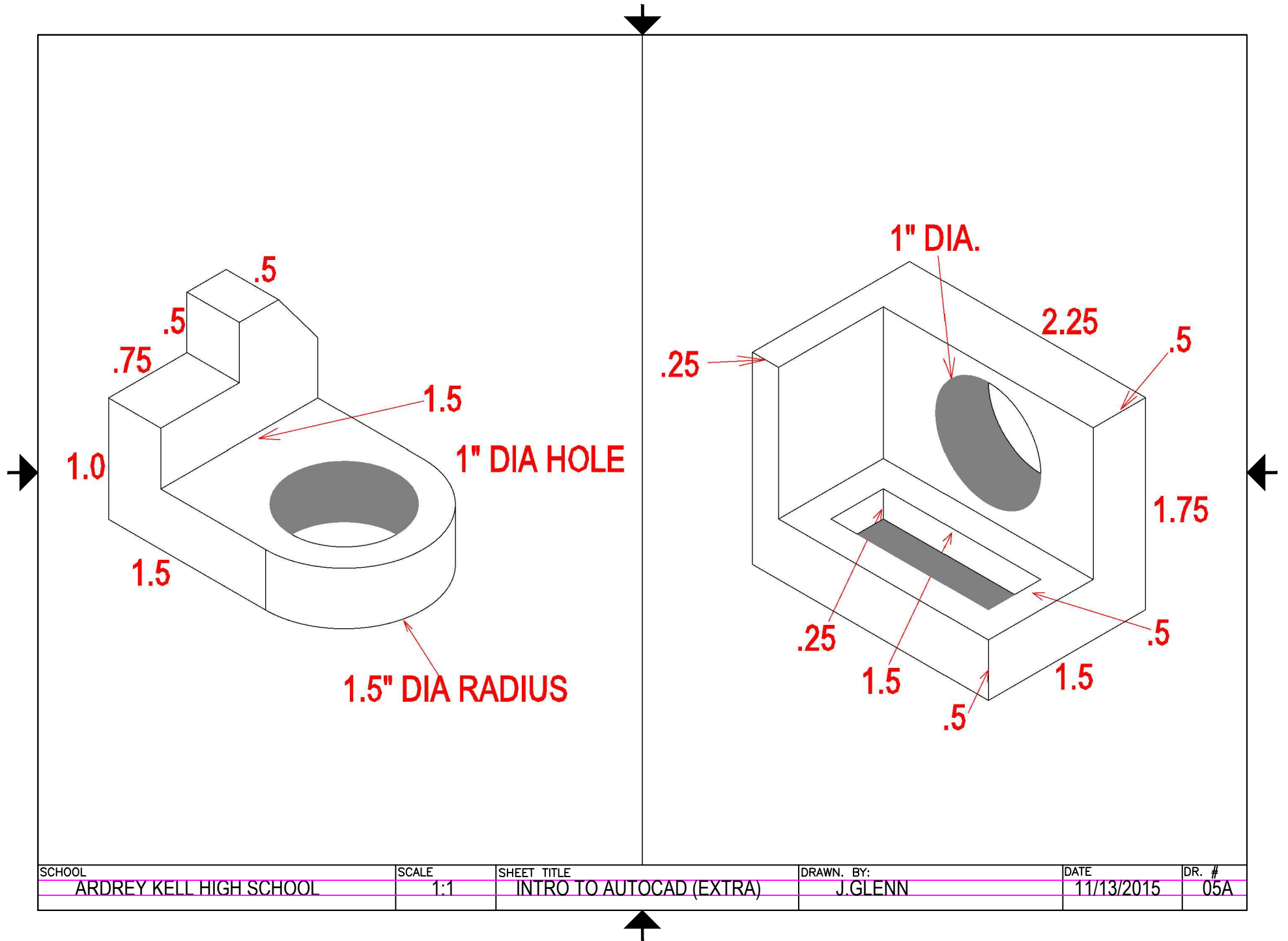
SCHOOL	SCALE	SHEET TITLE	DRAWN. BY:	DATE	DR. #
ARDREY KELL HIGH SCHOOL	1:1	INTRO TO AUTOCAD (EXTRA)	J.GLENN	11/13/2015	02A



SCHOOL	SCALE	SHEET TITLE	DRAWN. BY:	DATE	DR. #
ARDREY KELL HIGH SCHOOL	1:1	INTRO TO AUTOCAD (EXTRA)	J.GLENN	11/13/2015	03A



SCHOOL	SCALE	SHEET TITLE	DRAWN. BY:	DATE	DR. #
ARDREY KELL HIGH SCHOOL	1:1	INTRO TO AUTOCAD (EXTRA)	J.GLENN	11/13/2015	04A



SCHOOL	SCALE	SHEET TITLE	DRAWN. BY:	DATE	DR. #
ARDREY KELL HIGH SCHOOL	1:1	INTRO TO AUTOCAD (EXTRA)	J.GLENN	11/13/2015	05A